

LUMINO®

Elektronische
Informationssysteme

DATES & FACTS

Digital announcement device

DAG 415T



Digital announcement device DAG 415T



The acoustic passenger information device does not need a separate communication network, because it uses the same data network as the displays.

Apart from automatic standard announcements, prepared and spontaneous special texts as well as life announcements are possible.

As well the mode "Text-to-Speech" for visually handicapped persons is available.

FUNCTIONS AND MULTIFUNCTIONAL

- High flexible controller for acoustic passenger information
- Playback of stored or transmitted audio data (i.e. mp3, wav and other)
- Synthesized voice in different languages (Text-Tc Speech)
- Direct integration between display and controller without software adaption
- Live announcements by the control center via TCP/IP data transfer
- TCP/IP data connection for direct network integration
- Up to 4 – single or in groups – selectable power amplifiers 15 W / 100 V
- External audio gate to connect external power amplifier
- Support of up to 2 external pushbuttons or sensors for announcements on request
- Potentialgetrennter Relaiswechsler als Störmeldeausgang (mit optischer Visualisierung)

HOUSING

- 19" / 2HE T = 360 mm
- Applicable for integration in 19" rack or for wall installation by using special fittings
- Alternative as installation kit for integration in a DFI display
- 230 V / 50 Hz

FRONT CONNECTORS

- USB 2.0
- Indicators (LED) for quick check of special modes of the device

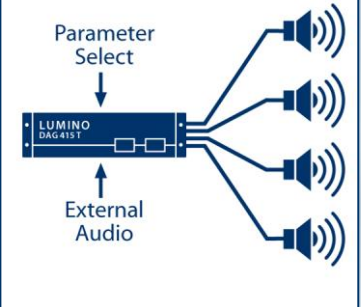
ANSCHLÜSSE HINTEN

- USB 2.0
- Ethernet 10/100 BaseT - RJ45
- External audio in/out (XLR)
- 2 x XLR/4-POL for max. 2 external pushbuttons
- 2 x Neutrik Speakon for 2 power amplifier output
- RS 422/485 for direct integration in a display network
- Access for malfunction message to remote maintenance system

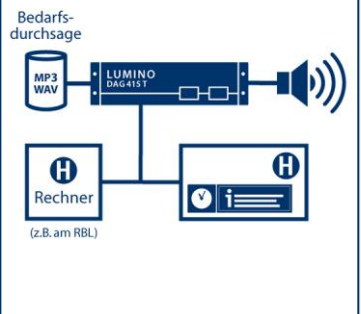
Technische Änderungen vorbehalten
Sonderausstattungsmerkmale auf Anfrage
Stand: April 2008

ANWENDUNGEN

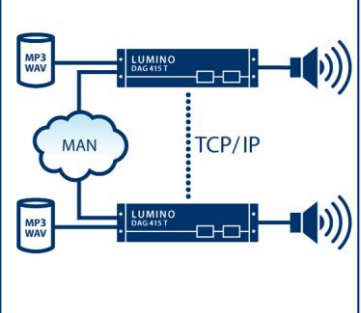
Amplifier 4 x15 W



Text to Speech



Tonkonserven (MP3, WAV u.a.)



Live-Durchsagen

